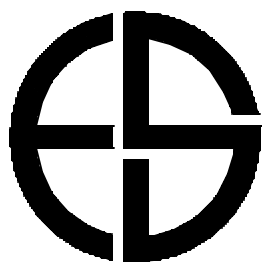
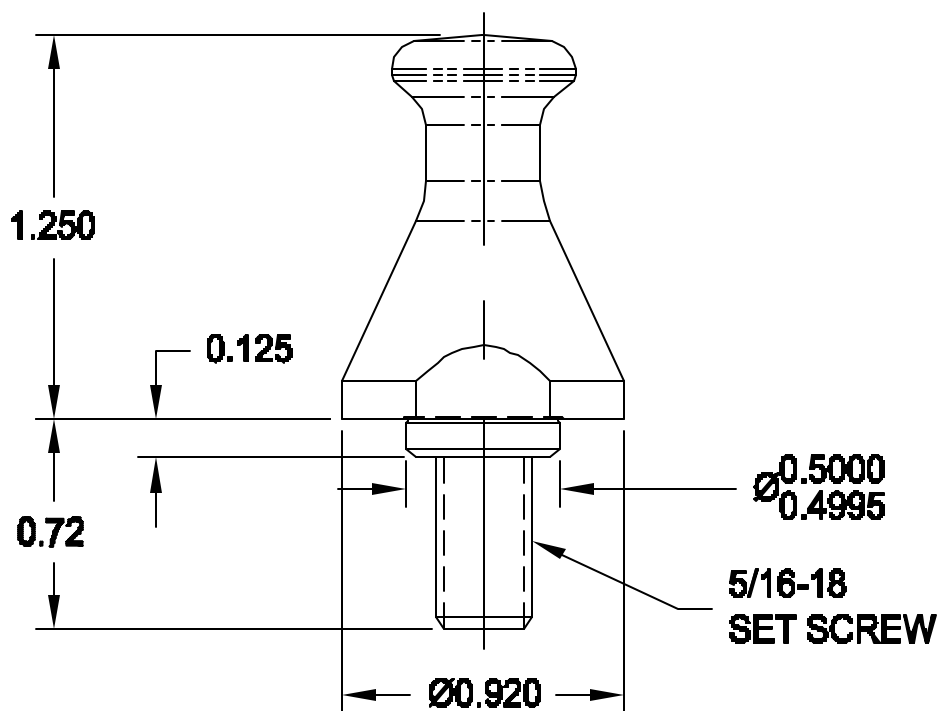
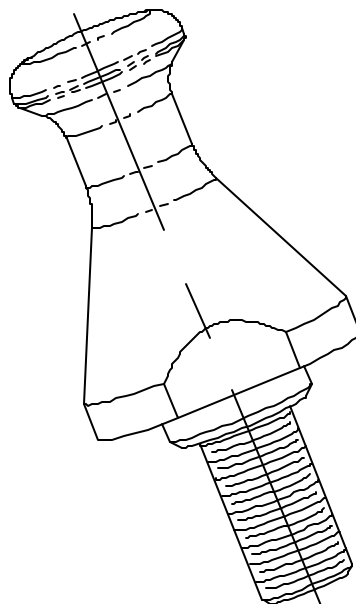


# MINI KNOB - PILOTED W/ 5/16-18 STUD

CAT # PD375STD5



**EDWARD D. SEGEN & CO, LLC**

3 SCHOONER LANE SUITE 1-11, MILFORD CT. 06460

PH. 203.882.0400 FAX 203.882.0420

**WWW.ALPHASEGEN.COM**

THE INFORMATION CONTAINED HEREIN MAY BE THE SUBJECT OF PENDING OR CONTEMPLATED PATENTS,  
AND IS FURNISHED WITHOUT PREJUDICE TO THE PATENT RIGHTS OF EDWARD D. SEGEN & CO, LLC.